








BDN FASTENERS

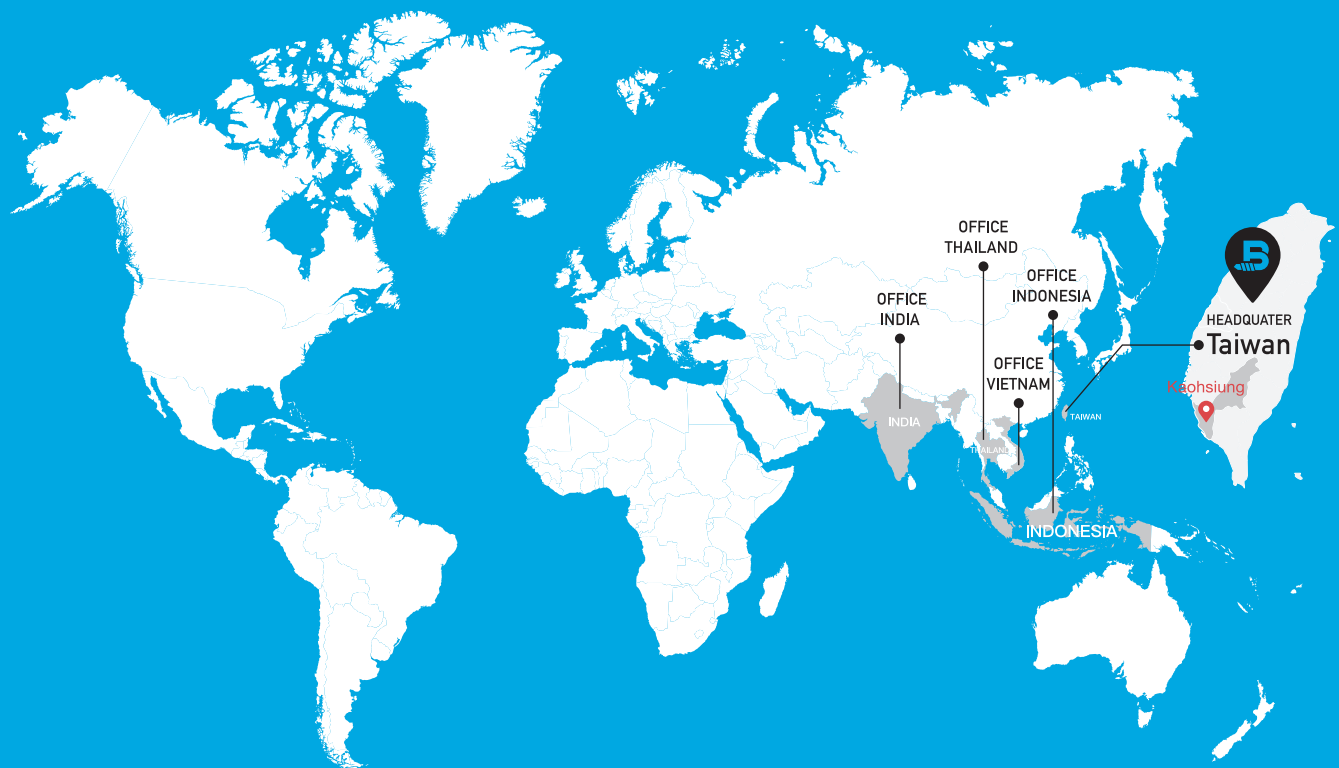
AS3566 Australian Standard
BUILDING FASTENERS

100% Made in Taiwan




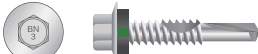






ISO 9001:2015

2009	2014	2015	2017	2018	2019	2022
						
<p>Established in 2009 and began the trade of selling construction fasteners.</p>	<p>In 2014, the 100% Made in Taiwan, BDN Fasteners brand name stepped into the fasteners scene.</p>	<p>BDN FASTENERS Thailand was established in 2015, and set up as a base for sales and promotion of BDN Fasteners in ASEAN countries.</p>	<p>BDN Fasteners takes a major step forward and builds a new facility dedicated to Heading, Threading, and Pinch Pointing processes – maximizing speed and efficiency, taking our service and quality to the next level.</p>	<p>Despite hard times, BDN Fasteners takes yet another bold step forwards, relocating to a larger storage and packaging facility for better logistics, accommodate additional personnel, and new packaging machinery.</p> <p>BDN FASTENERS PVT.LTD. was established in the end of July, 2018 for sales in Indian market.</p>	<p>BDN FASTENERS takes another bold step forwards, moving our packaging and warehouse facility to a larger area in order to provide better, faster service in the near future.</p>	<p>Despite the outburst of COVID-19 and the world going topsy-turvy, BDN Fasteners has taken advantage of the calm within the storm, expanding of our facility and adding multiple collated screw assembly lines, fully prepared once the global economy bounces back to pre-pandemic levels.</p>






CONTENTS

METAL-Tite™ Self-Drilling Screws

Fixing Cladding to Metal		5
Fixing to Thick Steel (No.5 Drill Point)		6
Crest Fixing Fasteners (Full Thread)		7
Crest Fixing Fasteners (Double Thread)		8
Stitching Fasteners (Reduced Point)		9
Stitching Fasteners (Needle Point)		10
Concealed Fixing Fasteners		11
Clip-Fix Button Head Self-Drilling Screws		12




Framing Screws

Truss to Plate Connection		13
TRUSS-Tite™ Fixing Steel Roof and Floor Trusses		14
FRAME-Tite™ Fixing to Steel Wall Frames		15

POLYXPAND™

Fixing Polycarbonate Sheeting to Metal		16
--	--	----

POLY-FAST™ Polycarbonate Roof Fasteners

POLY-FAST™ Metal		17
POLY-FAST™ Timber		18
POLY-FAST™ Duo		19

Collated Screws















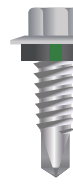



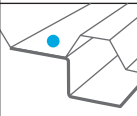
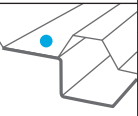
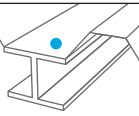
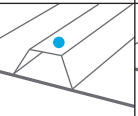
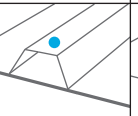
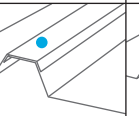
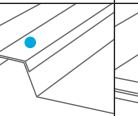
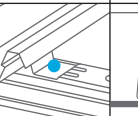
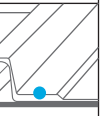









TIMBER-Tite™ Type 17 Self-Tapping Screws













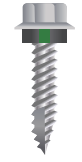


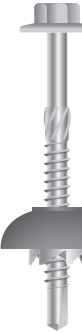
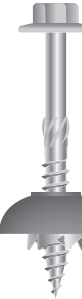

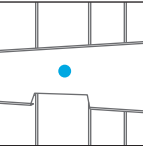
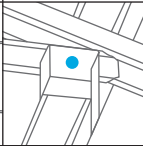
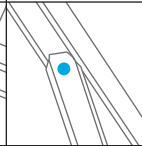
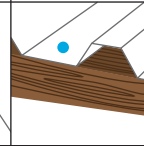
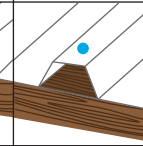
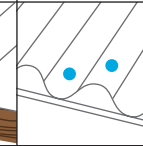
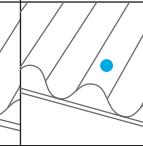
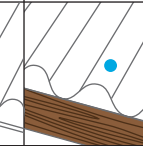
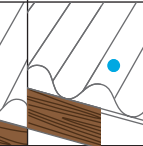







Valley Fixing Fasteners		21
Fixing Roof Sheeting to Timber (Double Thread)		22

Product Overview - BDN Fasteners®

Coating Type: Zinc + Organic Coating (Ruspert)

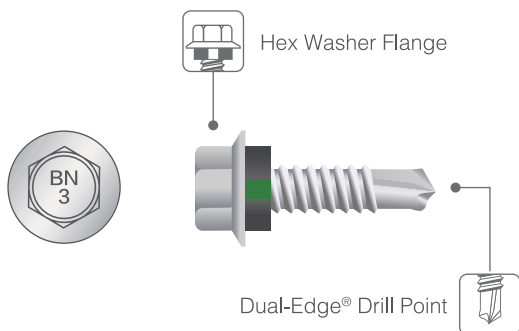
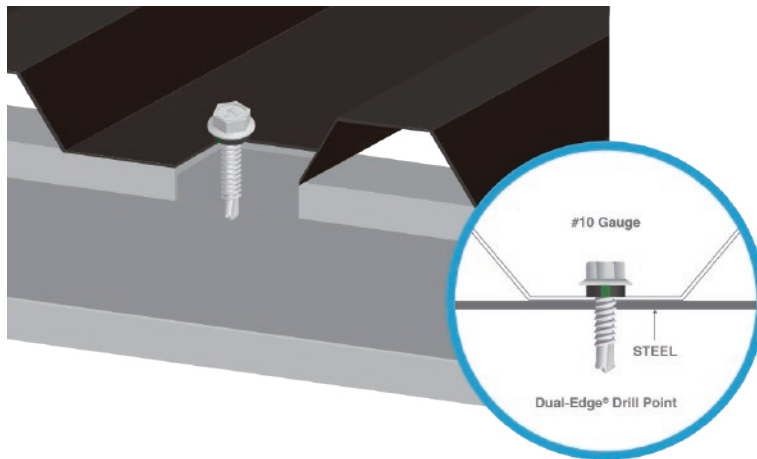
SGS Certification: SST 1000 hrs + Kesternich 7 cycles

Type									
Product									
Application									
Max. drilling capacity [mm]	4.0mm thick (For #10 gauge)	6.0mm thick (For #12 gauge)	12.5mm thick	6.0mm thick	6.0mm thick	1+1mm thick	1+1mm thick	4.0mm thick	2.5mm thick
Gauge TPI x Length [mm]	10-16 x 16 10-16 x 19 10-16 x 25	12-14 x 20 12-14 x 25 12-14 x 30 12-14 x 35	12-24 x 32 12-24 x 38 12-24 x 50	12-14 x 50 12-14 x 55 12-14 x 65 12-14 x 75 12-14 x 85 12-14 x 110 12-14 x 130	12-14 x 45 12-14 x 55 12-14 x 65 12-14 x 75 12-14 x 90	15-15 x 20	10-16 x 19	10-24 x 16 10-24 x 22	8-18 x 45 8-18 x 65
Product webpage QR code									

									Type
									Product
									Application
4.0mm thick	1.5 + 1.5mm thick	0.75mm to 1.6mm thick	Min 20mm Timber penetration	Min 25mm Timber penetration	5.5mm thick	4.5mm thick	Min 25mm Timber penetration	3mm thick	Max. drilling capacity [mm]
M6.0-1.00 x 22	12-14 x 20	M8.0-2.12 x 16	10-12 x 20	12-11 x 50 12-11 x 65 12-11 x 75	12-14 x 40 (Valleys) 12-14 x 55 12-14 x 65 12-14 x 72 (Crests)	12-14 x 60	12-11 x 50	12-11 x 50	Gauge TPI x Length [mm]
								Product webpage QR code	

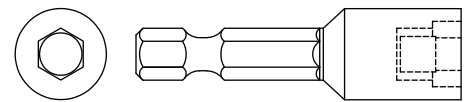
BN3 METAL-Tite™ Dual-Edge® Self-Drilling Screws

Fixing Cladding to Metal



ADAPTER TO USE

Magnetic Hex Socket (5/16")



STEEL PENETRATION

Max. 4.0mm thick (For #10 gauge)

Max. 6.0mm thick (For #12 gauge)

PRODUCT FEATURES

Hex Washer Flange

Dual-Edge® Drill Point

WASHER

Eco-BDN® Green Washer



Eco-BDN
Green Washer

PART NUMBER



#10 Gauge

SDHC1016C3N 10-16 x 16mm

SDHC1019C3N 10-16 x 19mm

SDHC1025C3N 10-16 x 25mm



#12 Gauge

SDHC1220C3N 12-14 x 20mm

SDHC1225C3N 12-14 x 25mm

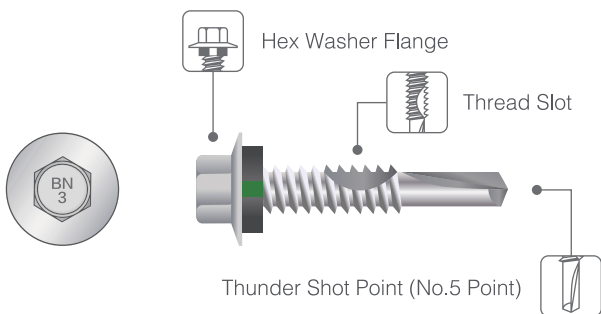
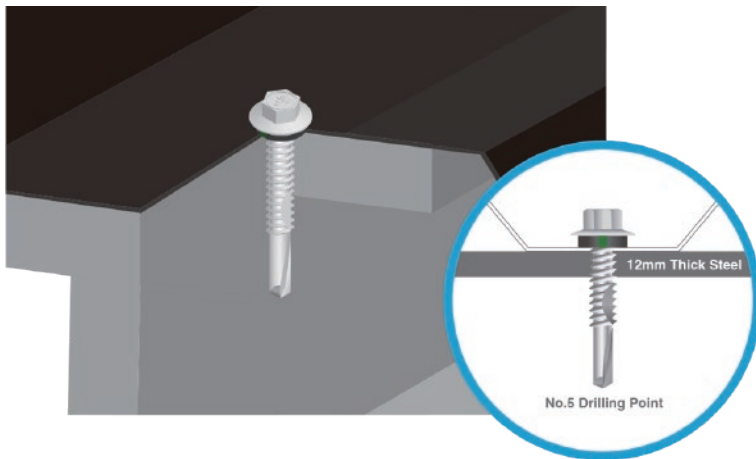
SDHC1230C3N 12-14 x 30mm

SDHC1235C3N 12-14 x 35mm

SST 1000 hrs + Kesternich 7 cycles

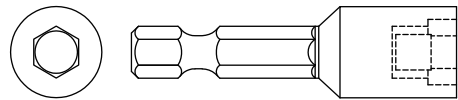
BN3 METAL-Tite™ Heavy Duty Self-Drilling Screws

Fixing to Thick Steel - No. 5 Drill Point



ADAPTER TO USE

Magnetic Hex Socket (5/16")



STEEL PENETRATION

Max. 12.5mm thick

PRODUCT FEATURES

Hex Washer Flange
Thread slot
No.5 Drilling Point

WASHER

Eco-BDN® Green Washer



Eco-BDN
Green Washer

PART NUMBER

#12 Gauge

SDH5F1232C3N 12-24 x 32mm

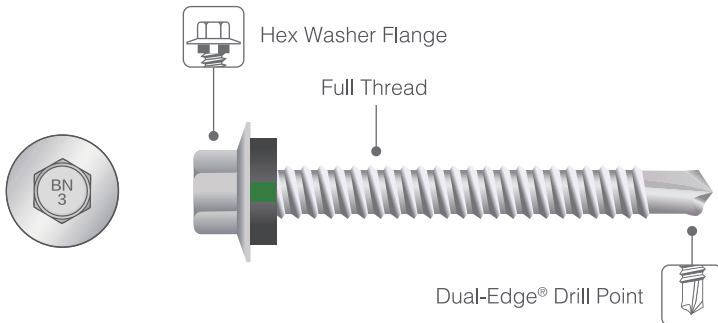
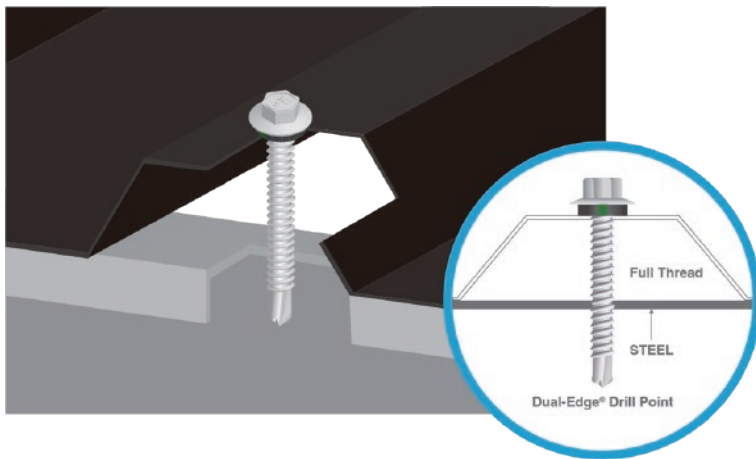
SDH5F1238C3N 12-24 x 38mm

SDH5F1250C3N 12-24 x 50mm

SST 1000 hrs + Kesternich 7 cycles

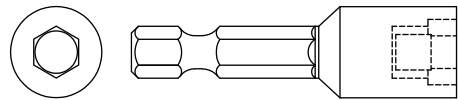
BN3 METAL-Tite™ Dual-Edge® Self-Drilling Screws

Fixing Roof Sheetting to Metal - Full Thread



ADAPTER TO USE

Magnetic Hex Socket (5/16")



STEEL PENETRATION

Max. 6.0mm thick (For #12 gauge)

PRODUCT FEATURES

Hex Washer Flange
Full Thread
Dual-Edge® Drill Point

WASHER

Eco-BDN® Green Washer



Eco-BDN
Green Washer

PART NUMBER

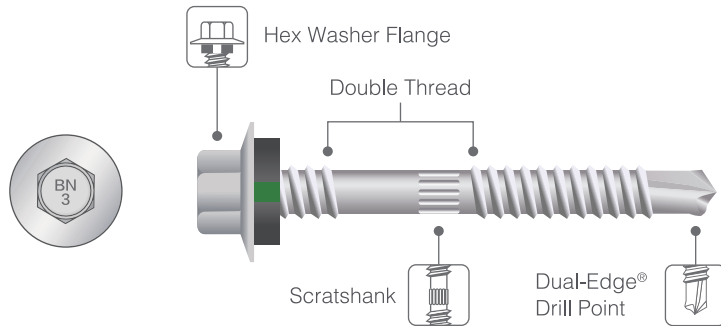
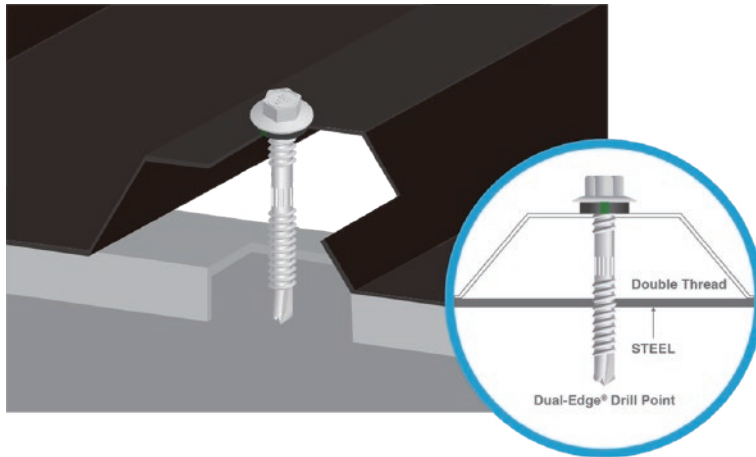
#12 Gauge

SDHC1245C3N	12-14 x 45mm	SDHC1275C3N	12-14 x 75mm
SDHC1255C3N	12-14 x 55mm	SDHC1290C3N	12-14 x 90mm
SDHC1265C3N	12-14 x 65mm		

SST 1000 hrs + Kesternich 7 cycles

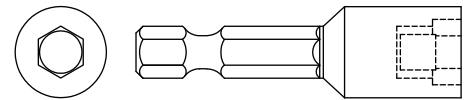
BN3 METAL-Tite™ Dual-Edge® Self-Drilling Screws

Fixing Roof Sheeting to Metal - Double Thread



ADAPTER TO USE

Magnetic Hex Socket (5/16")



STEEL PENETRATION

Max. 6.0mm thick (For #12 gauge)

PRODUCT FEATURES

- Hex Washer Flange
- Dual-Edge® Drill Point
- Double Thread
- Scratchank

WASHER

Eco-BDN® Green Washer



PART NUMBER

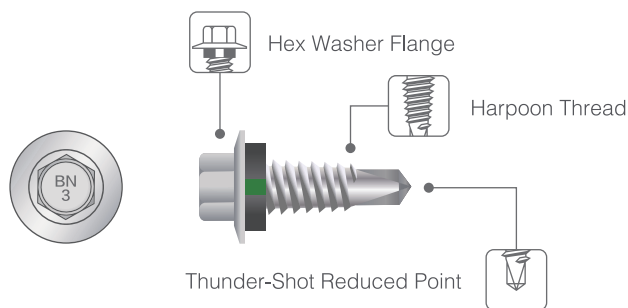
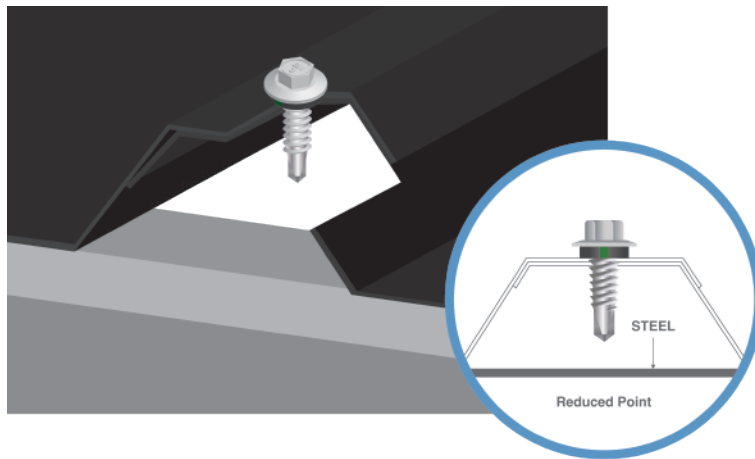
#12 Gauge

SDHCG1250C3N	12-14 x 50mm	SDHCG1285C3N	12-14 x 85mm
SDHCG1255C3N	12-14 x 55mm	SDHCG12110C3N	12-14 x 110mm
SDHCG1265C3N	12-14 x 65mm	SDHCG12130C3N	12-14 x 130mm
SDHCG1275C3N	12-14 x 75mm		

SST 1000 hrs + Kesternich 7 cycles

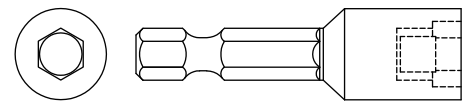
BN3 METAL-Tite™ Stitching Fasteners

Stitching Fasteners - Reduced Point



ADAPTER TO USE

Magnetic Hex Socket (5/16")



STEEL PENETRATION

Max. drilling capacity 1+1mm thick

PRODUCT FEATURES

Hex Washer Flange
Thunder-Shot Reduced Point
Harpoon Thread

WASHER

Eco-BDN® Green Washer



PART NUMBER

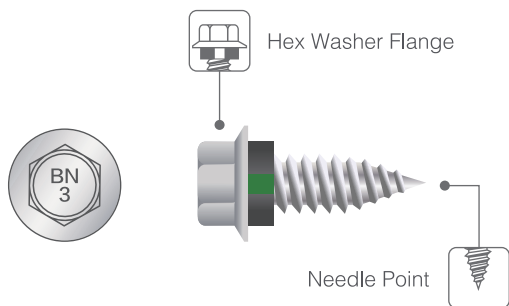
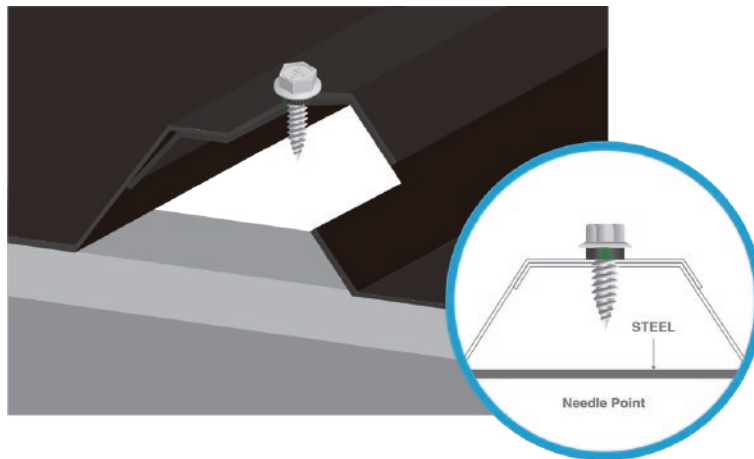
#15 Gauge

SDHC1520C3N 15-15 x 20mm

SST 1000 hrs + Kesternich 7 cycles

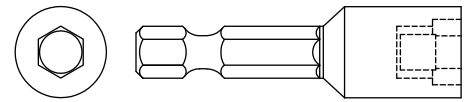
BN3 METAL-Tite™ Stitching Fasteners

Stitching Fasteners - Needle Point



ADAPTER TO USE

Magnetic Hex Socket (5/16")



STEEL PENETRATION

Max. drilling capacity 1+1mm thick

PRODUCT FEATURES

Hex Washer Flange
Needle Point

WASHER

Eco-BDN® Green Washer



PART NUMBER

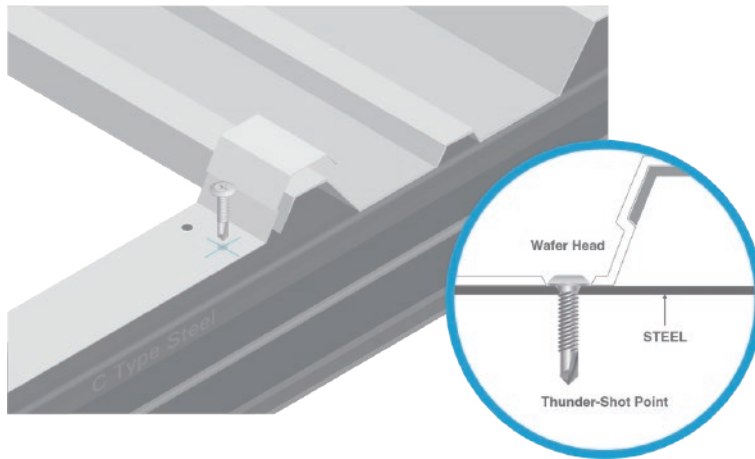
#10 Gauge

SDHST1019C3N 10-16x19mm

SST 1000 hrs + Kesternich 7 cycles

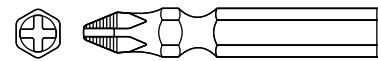
BN3 METAL-Tite™ Concealed Fixing Fasteners

Fixing steel sheets into steel substrates



ADAPTER TO USE

Philips Bit (PH2+)

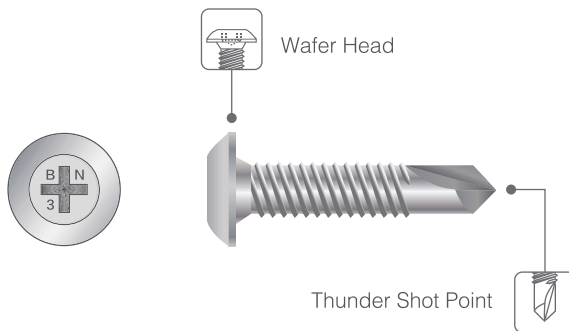


STEEL PENETRATION

Max. 4.0mm thick

PRODUCT FEATURES

Wafer Head
Philips Drive
Thunder-Shot Point



PART NUMBER

#10 Gauge

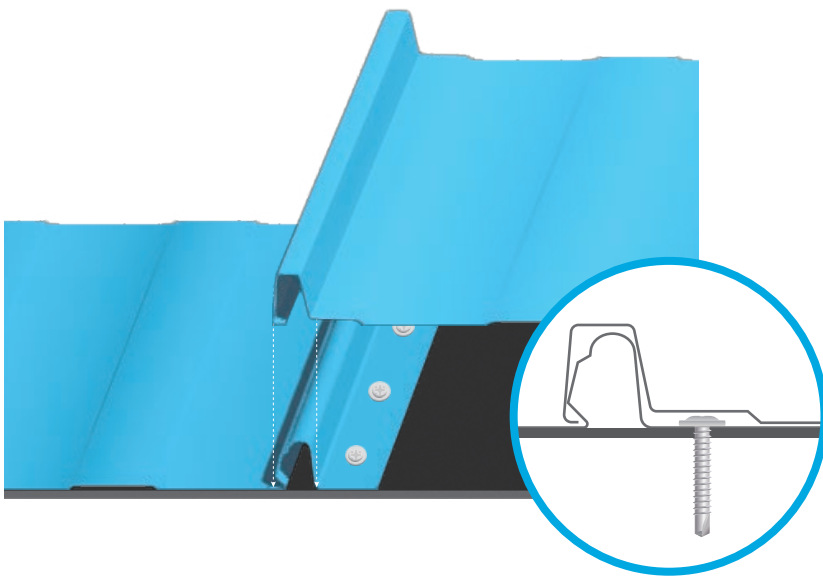
SDWF1016C3 10-24 x 16mm

SDWF1022C3 10-24 x 22mm

SST 1000 hrs + Kesternich 7 cycles

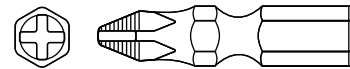
BN3 Clip-Fix Button Head Self-Drilling Screws

BDN Clip-Fix button head self-drilling screws is suited for concealed and pierce fixing snap-lock type cladding system panels to thin gauge steel battens. Clip-Fix's low-profile button head are concealed and will not interfere when panels are snapped into position, providing a clean finish.



ADAPTER TO USE

Philips Bit (PH2+)

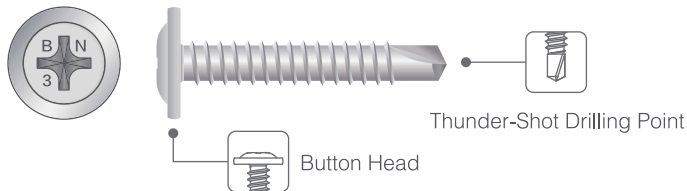


STEEL PENETRATION

Max. 2.5mm thick

PRODUCT FEATURES

- Low profile Button head
- Philips Drive
- Thunder-Shot Drilling Point
- Suited for clip fixing to batten supports



PART NUMBER

#8 Gauge

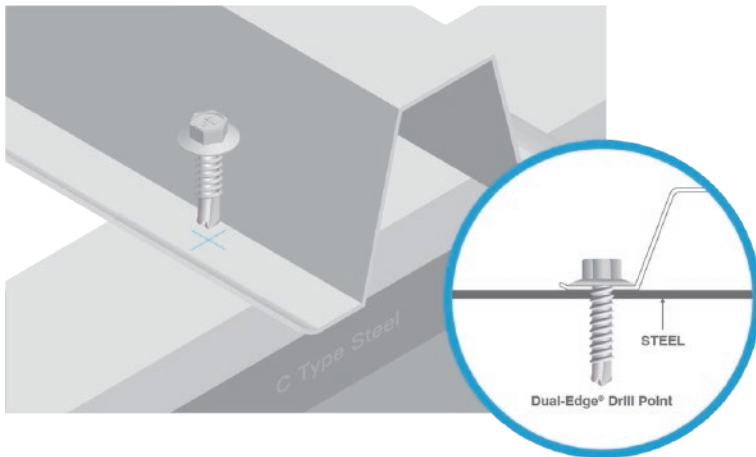
BN3-SDBT0845C3 8-18 x 45mm

BN3-SDBT0865C3 8-18 x 65mm

SST 1000 hrs + Kesternich 7 cycles

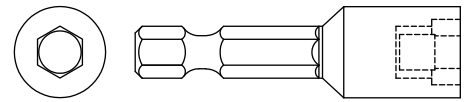
BN3 METAL-Tite™ Truss to Plate Connection Fasteners

Truss to Plate Connecting Fasteners



ADAPTER TO USE

Magnetic Hex Socket (5/16")

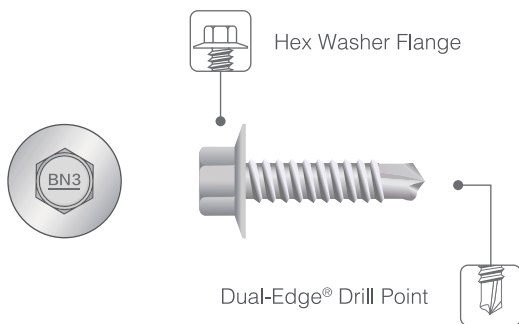


STEEL PENETRATION

Max. drilling capacity 1.5+1.5mm thick

PRODUCT FEATURES

Dual-Edge® Drill Point
High pull-out strength



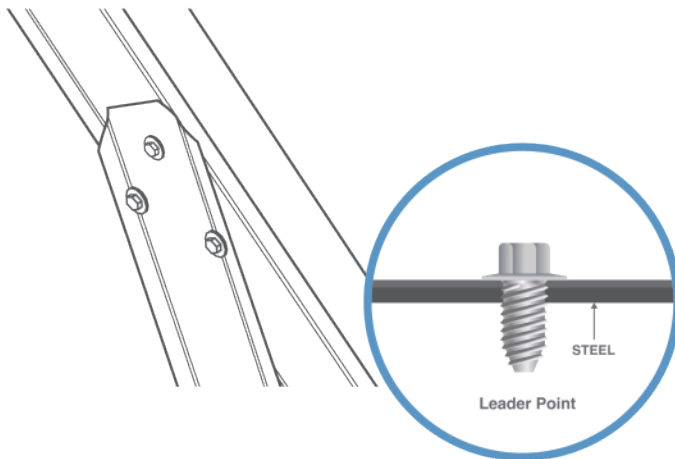
PART NUMBER

SDHCF1220C3 12-14 x 20mm

SST 1000 hrs + Kesternich 7 cycles

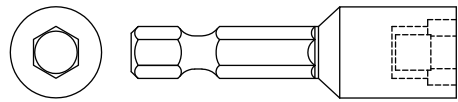
BN3 METAL-Tite™ Framing Fasteners

Fixing Steel Roof and Floor Trusses



ADAPTER TO USE

Magnetic Hex Socket (5/16")

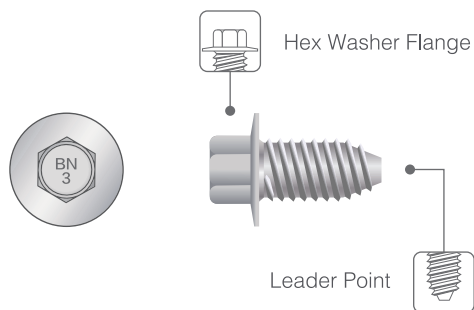


STEEL PENETRATION

From 0.75mm to 1.6mm thick

PRODUCT FEATURES

- Superior holding strength
- Self space tapping point makes it easy to start and align in the punched hole
- Easy application



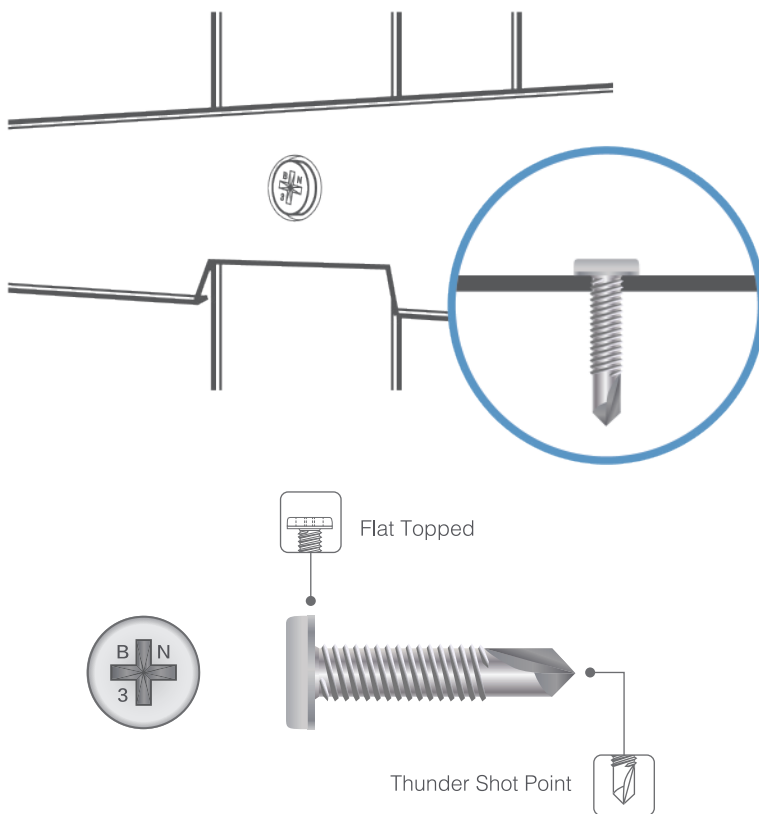
PART NUMBER

SDHTSF0816C3 M8.0-2.12x16mm

SST 1000 hrs + Kesternich 7 cycles

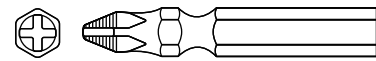
BN3 FRAME-Tite™ Framing Fasteners

Fixing to steel wall frames



ADAPTER TO USE

Philips Bit (PH3+)



STEEL PENETRATION

Max. 4.0mm thick

PRODUCT FEATURES

- Smooth flat top head for discreet fixing
- Superior holding strength
- Easy application

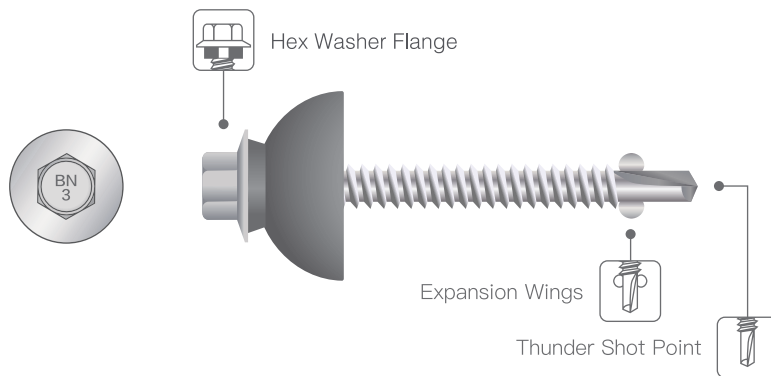
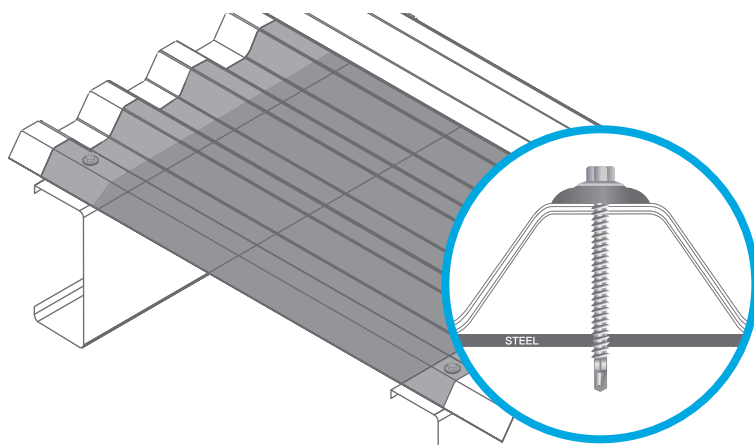
PART NUMBER

SDFHSF0622C3 M6.0-1.00 x 22mm

SST 1000 hrs + Kesternich 7 cycles

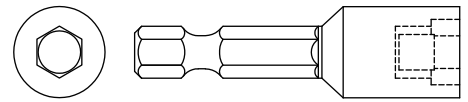
BN3 POLYXPAND™ Plastic Skylight Fixing Fasteners

Fixing Polycarbonate Sheeting to Metal



ADAPTER TO USE

Magnetic Hex Socket (5/16")



STEEL PENETRATION

Max 5.5mm Thick

PRODUCT FEATURES

Hex Washer Flange
Expansion Wings
Thunder-Shot Point

WASHER

Ø 25mm Dome Grey EPDM



PART NUMBER

#12 Gauge

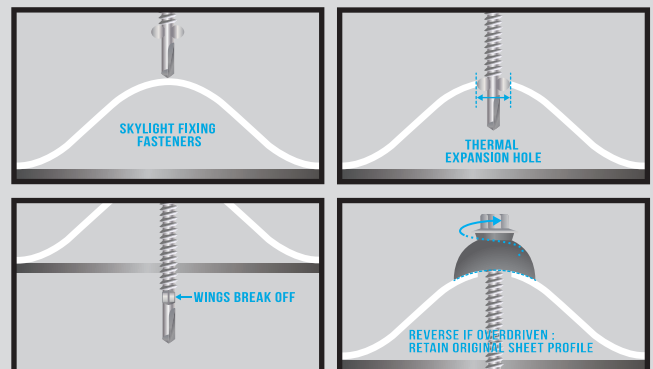
SDHCP1240C3D 12-14 x 40mm

SDHCP1255C3D 12-14 x 55mm

SDHCP1265C3D 12-14 x 65mm

SDHCP1272C3D 12-14 x 72mm

SST 1000 hrs + Kesternich 7 cycles

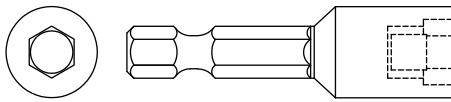


POLY-FAST™ Metal Polycarbonate Roof Fasteners

Fixing Polycarbonate Skylight to Steel

ADAPTER TO USE

Magnetic Hex Socket (5/16")

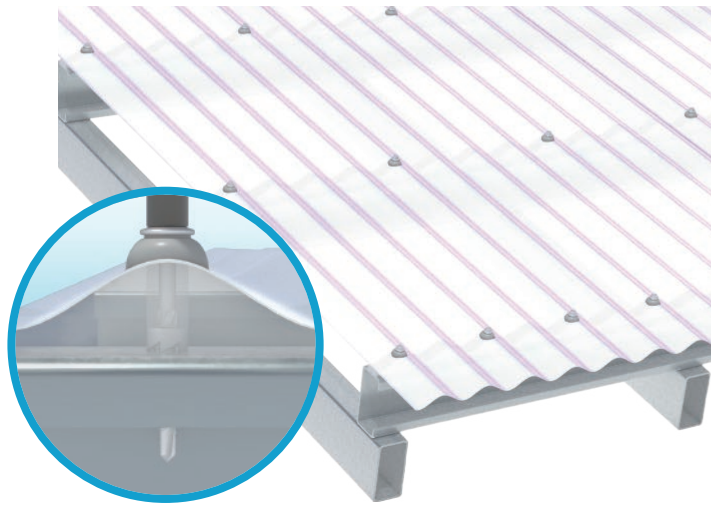


STEEL PENETRATION

Max 4.5mm thick

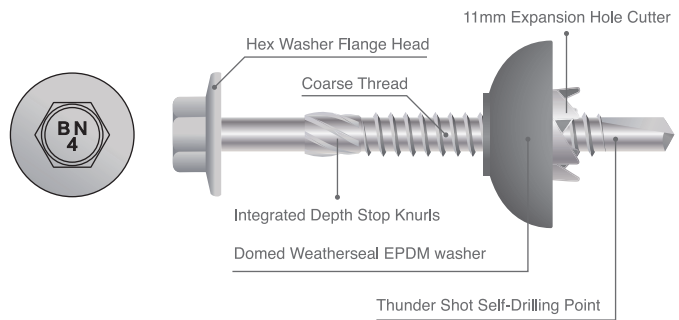
PRODUCT FEATURES

- Hex Washer Flange Head
- Integrated Depth Stop Knurls
- 11mm Expansion Hole Cutter
- Thunder Shot Self-Drilling Point



WASHER

Domed, Weatherseal, Anti-static EPDM Washer



Product Code

BN4-SDXPS1260C4

Specification

#12-14 x 60mm

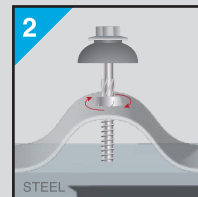
Corrosion Resistance

True Australian Standard
Class 4 Coating (C4)

Installation Procedure



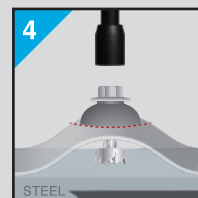
Saves 50% of labor time, create a perfectly round expansion hole, and fix sheets in one go.



A perfectly round nominal 11mm diameter hole is created by the Thermal Expansion Hole Cutter during the process.



The Expansion Hole Cutter works in combination with the Depth Stop Knurls, and prevents overdriving of the screw after touching the purlin.



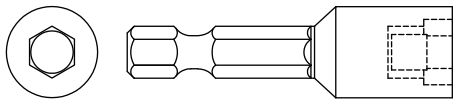
A large Domed Weatherseal EPDM washer with two concentric sealing rims on the washer underside completes the package.

POLY-FAST™ Timber Polycarbonate Roof Fasteners

Fixing Polycarbonate Skylight to Timber

ADAPTER TO USE

Magnetic Hex Socket (5/16")



TIMBER PENETRATION

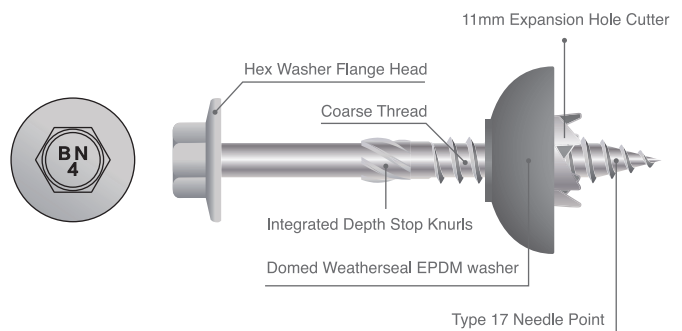
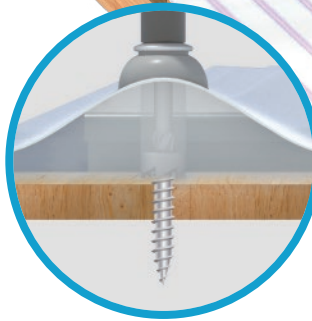
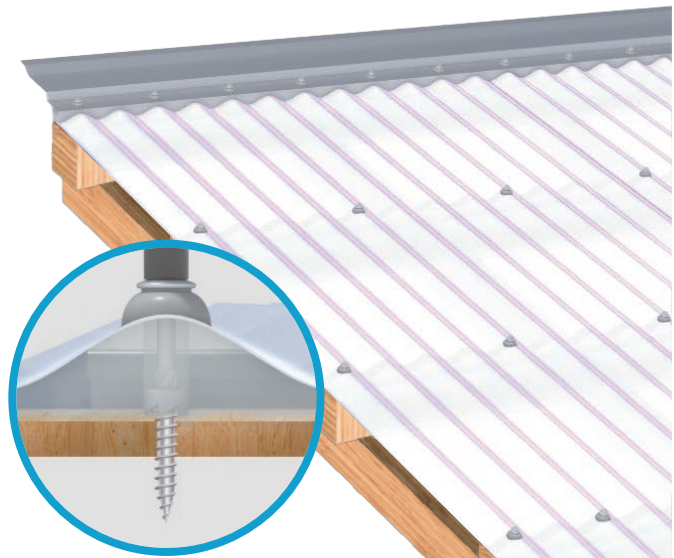
Min 25mm penetration

PRODUCT FEATURES

Hex Washer Flange Head
Integrated Depth Stop Knurls
11mm Expansion Hole Cutter
Type 17 Needle Point

WASHER

Domed, Weatherseal, Anti-static
EPDM Washer



Product Code

BN4-T17HXPS1250C4

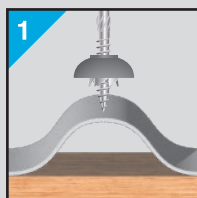
Specification

#12-11 x 50mm

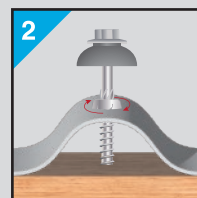
Corrosion Resistance

True Australian Standard
Class 4 Coating (C4)

Installation Procedure



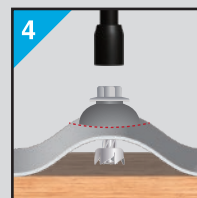
Saves 50% of labor time, create a perfectly round expansion hole, and fix sheets in one go.



A perfectly round nominal 11mm diameter hole is created by the Thermal Expansion Hole Cutter during the process.



The Expansion Hole Cutter works in combination with the Depth Stop Knurls, and prevents overdriving of the screw after touching the purlin.



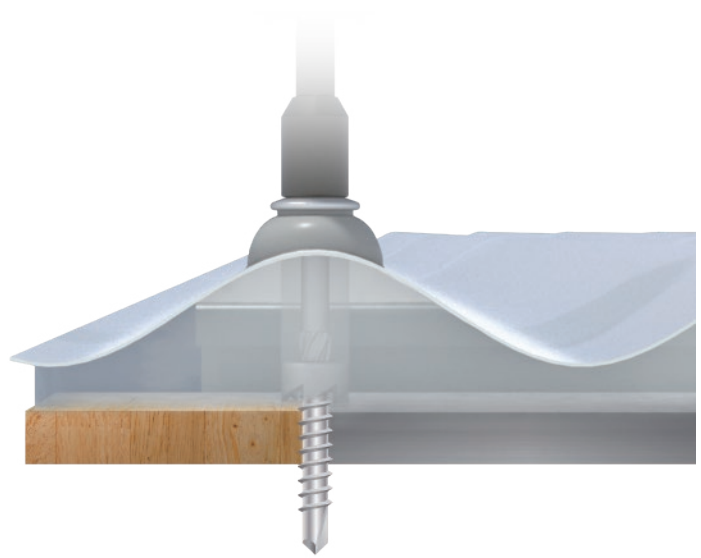
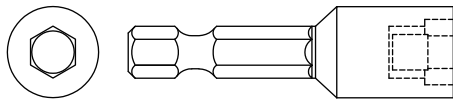
A large Domed Weatherseal EPDM washer with two concentric sealing rims on the washer underside completes the package.

POLY-FAST™ Duo Polycarbonate Roof Fasteners

Dual purpose, Fixing Polycarbonate Skylight to Metal and Timber

ADAPTER TO USE

Magnetic Hex Socket (5/16")



STEEL PENETRATION

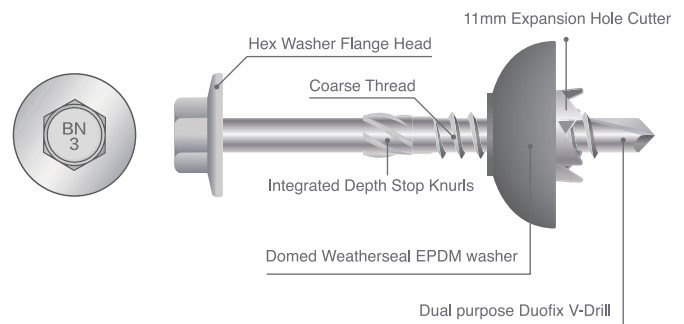
Max. 3.0mm thick

PRODUCT FEATURES

Hex Washer Flange Head
Integrated Depth Stop Knurls
11mm Expansion Hole Cutter
Dual purpose Duofix V-Drill

WASHER

Domed, Weatherseal, Anti-static
EPDM Washer



Product Code

BN3-S17HXPS1250C3

Specification

#12-11 x 50mm

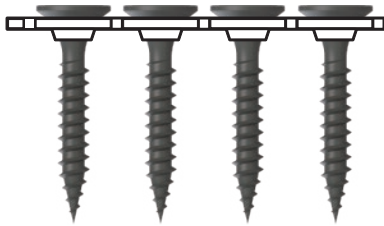
Corrosion Resistance

True Australian Standard Class 3 Coating (C3)

Collated Drywall Screw



Collated Bulge Head Screws for Thin Steel



Fine Thread

Dimension

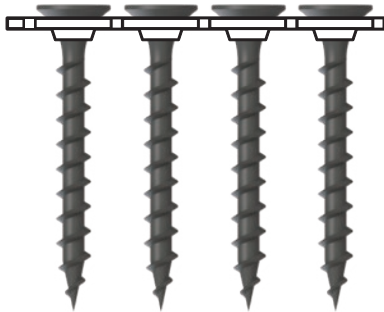
M3.5 x 25mm #6-18 x 1"

M3.5 x 32mm #6-18 x 1-1/4"

M3.5 x 41mm #6-18 x 1-5/8"



Collated Bulge Head Screws for Timber



Coarse Thread

Dimension

M3.5 x 25mm #6-9 x 1"

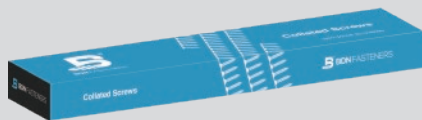
M3.5 x 32mm #6-9 x 1-1/4"

M3.5 x 41mm #6-9 x 1-5/8"



Standard Packaging:

50pcs/strip, 1000pcs/box
and 10000pcs/ctn



Inner Box

Size: 560 x 120 x 50mm

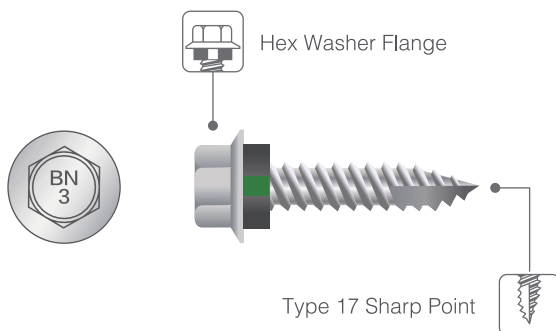
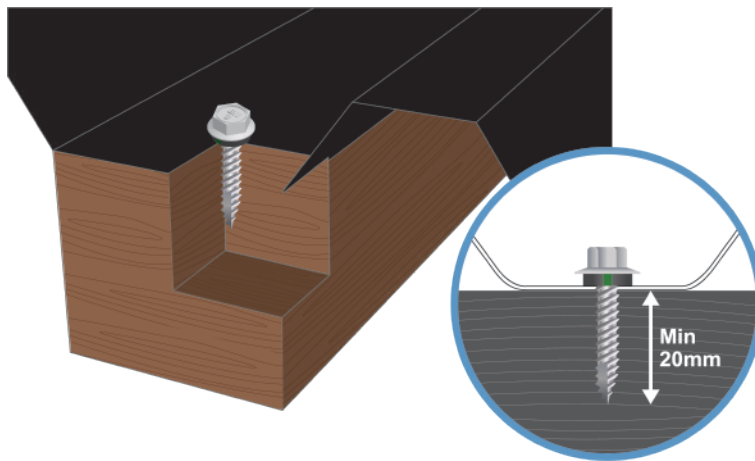


Outer Box

Size: 573 x 255 x 283mm

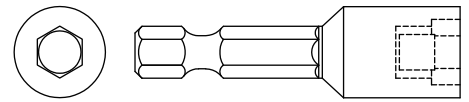
BN3 **TIMBER-Tite™** Self-Tapping Screws (Type 17)

Fixing roof sheeting to timber - Valley Fixing Fasteners



ADAPTER TO USE

Magnetic Hex Socket (5/16")



TIMBER PENETRATION

Min. 20mm penetration

PRODUCT FEATURES

Hex Washer Flange
Type 17 Sharp Point

WASHER

Eco-BDN® Green Washer



Eco-BDN
Green Washer

PART NUMBER

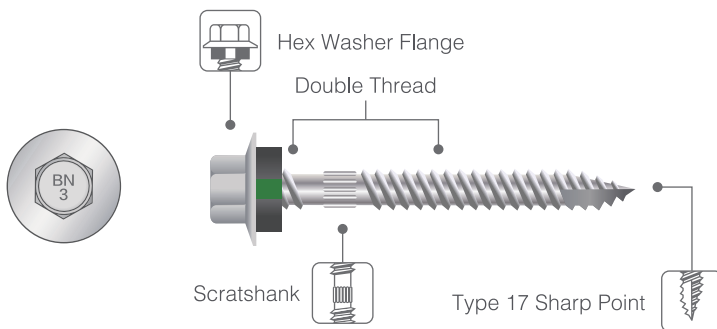
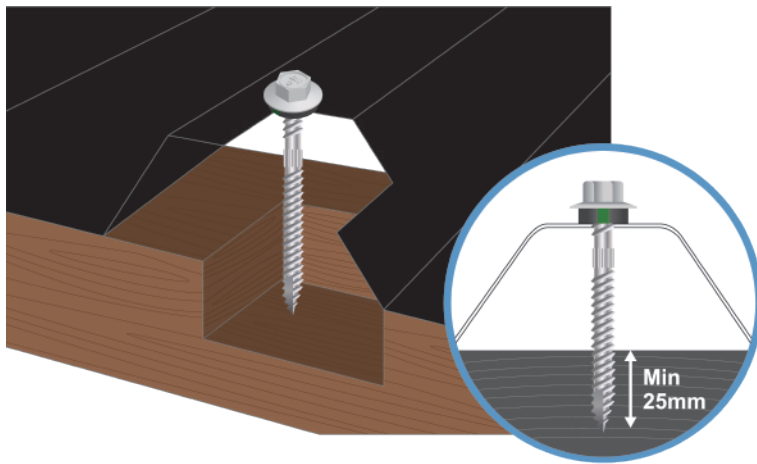
#10 Gauge

T17H1020C3N 10-12 x 20mm

SST 1000 hrs + Kesternich 7 cycles

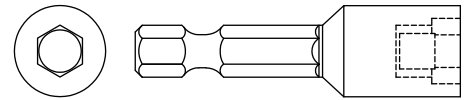
BN3 **TIMBER-Tite™** Self-Tapping Screws (Type 17)

Fixing roof sheeting to timber - Crest Fixing Fasteners



ADAPTER TO USE

Magnetic Hex Socket (5/16")



TIMBER PENETRATION

Min. 25mm penetration

PRODUCT FEATURES

Hex Washer Flange
Type 17 Sharp Point
Double Thread
Scratchank

WASHER

Eco-BDN® Green Washer



Eco-BDN
Green Washer

PART NUMBER

#12 Gauge

T17HCG1250C3N 12-11 x 50mm

T17HCG1265C3N 12-11 x 65mm

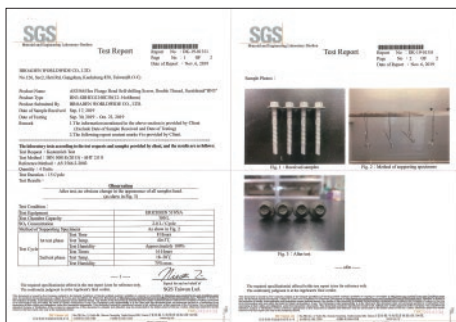
T17HCG1275C3N 12-11 x 75mm

SST 1000 hrs + Kesternich 7 cycles

Quality Assurance



To show our commitment to being a trustworthy supplier, and provide the best product and services, **BDN Fasteners®** are manufactured and quality controlled following ISO standards, and is of course, ISO-9001:2015 certified, EN 14566 certificate.



SGS Certification

BDN Fasteners BN3 Series screws are regularly sent to SGS for Kesternich & Spray Salt Test (1000 hrs) certification.

As part of our new quality assurance policy, which aims to provide high quality, third-party laboratory certified products – customers will now receive the most up-to-date corrosion resistance certifications upon request.

QUALITY CONTROL IN PROCESS



PRE-PRODUCTION INSPECTION

Drawing Check
Specific Conditions Check

HEADING / THREADING / PINCH POINTING

Machinery Condition Check
Molds and Dies Inspection and Setup

HEAT TREATMENT

Strictly controlled process
Fully equipped with well maintained case depth and hardness testers

SURFACE TREATMENT

Well equipped with salt-spray and corrosion test machinery

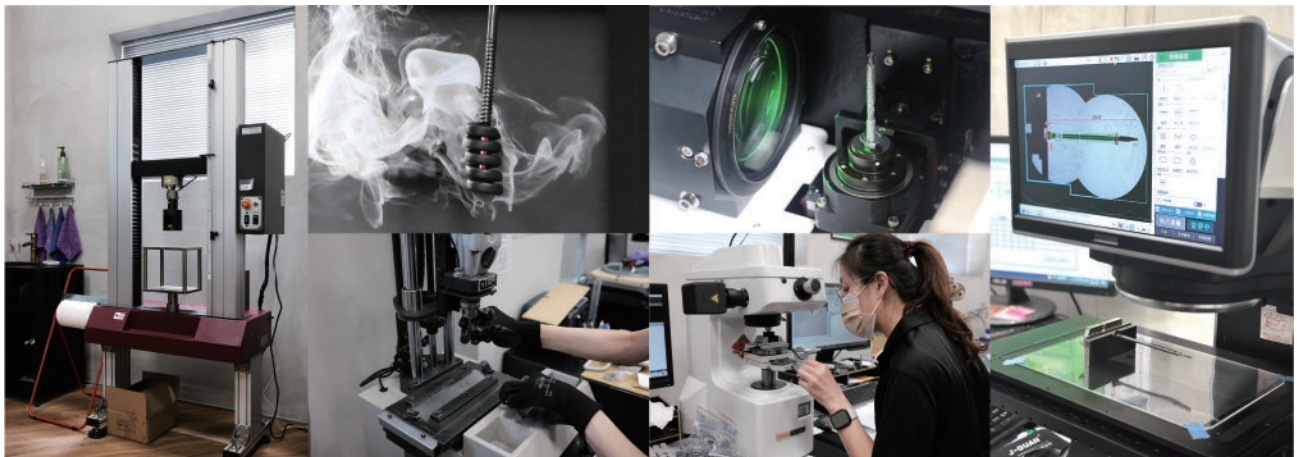
PRE-SHIPMENT INSPECTION

Manual Sorting and Rearrangement
Optical Sorting (Optional)















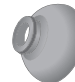


FINAL INSPECTION

Dimensions
Functionality
Aesthetics

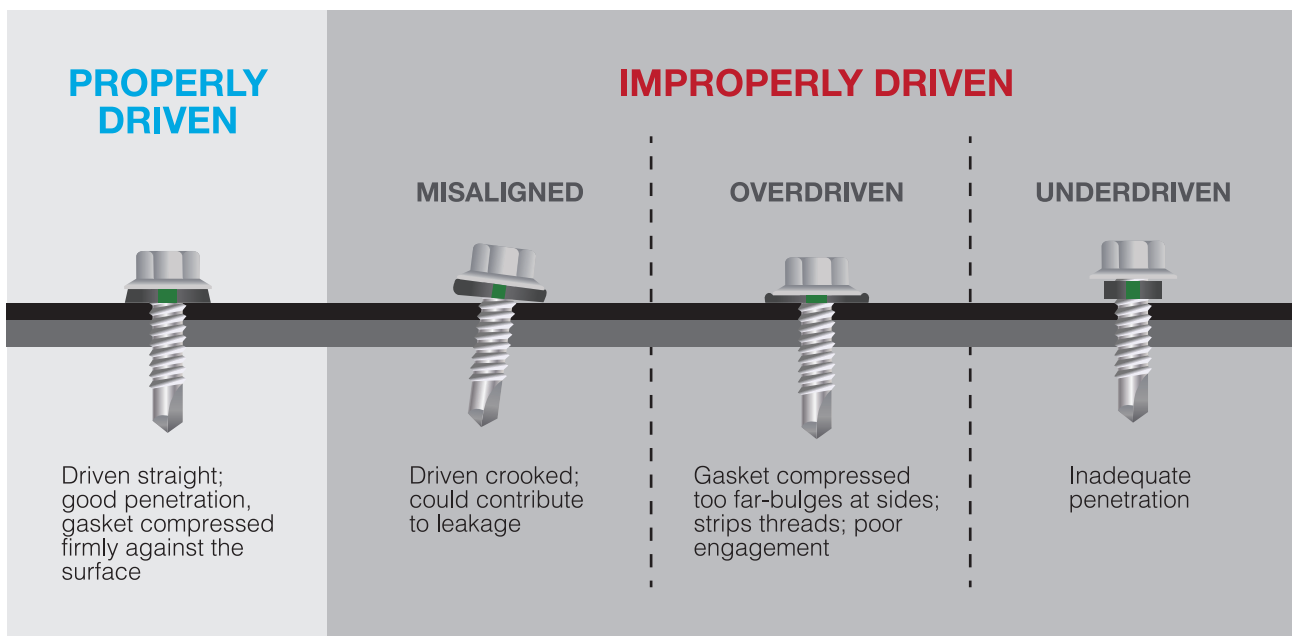
PRE-SHIPMENT SAMPLES SENT UPON REQUEST



Screw Description

PART CODE									
POINT TYPE	HEAD STYLE	DRILLING POINT	THREAD PITCH	PRODUCT	THREAD TYPE	GAUGE	LENGTH	CORROSION RESISTANCE CLASS	SEALING WASHER
								  SST 500HRS+5 CYCLES	 Eco-BDN Green Washer
SELF DRILLING	HEX	#5 POINT	COARSE THREAD	POLYXPAND	SCRATSHANK			C2	N
SD	H	5	C	P	G				
								 SST 1000HRS+7 CYCLES	 BAZ WASHER
TYPE 17	WAFER HEAD		FINE THREAD		DOUBLE SCRATSHANK			C3	D
T17	W	-	F	-	XG	12	55	C4	B
								 SST 2000HRS+15 CYCLES	 BONDED WASHER

Screw Installation



Packaging Guide



BDN FASTENERS

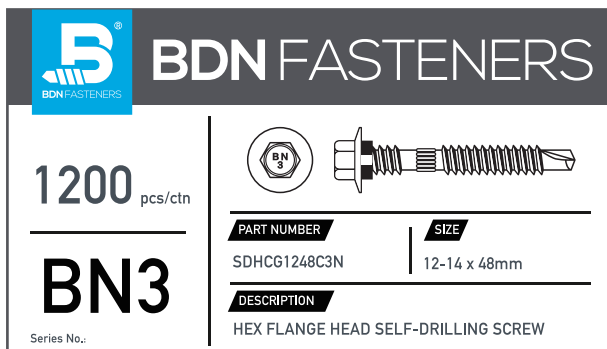
Brand new packaging, upsized logos, spiced up head markings and more!
Updated color scheme means you'll never have trouble spotting trusty **BDN Fasteners®** anymore!



Product Label

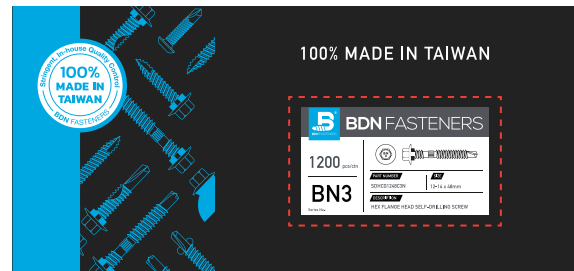
BDN Fasteners® come with large, easy to read product labels. Each product has its own unique label showing the product category, packaged quantities, size, part no., color, and description.

To re-order, use the Part No., Product Description, and Color Code as indicated below. This information can be easily obtained from any of our existing packaging.



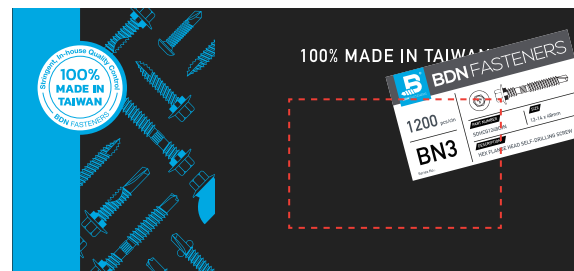
Size: 140 x 80 mm

✓ CORRECT

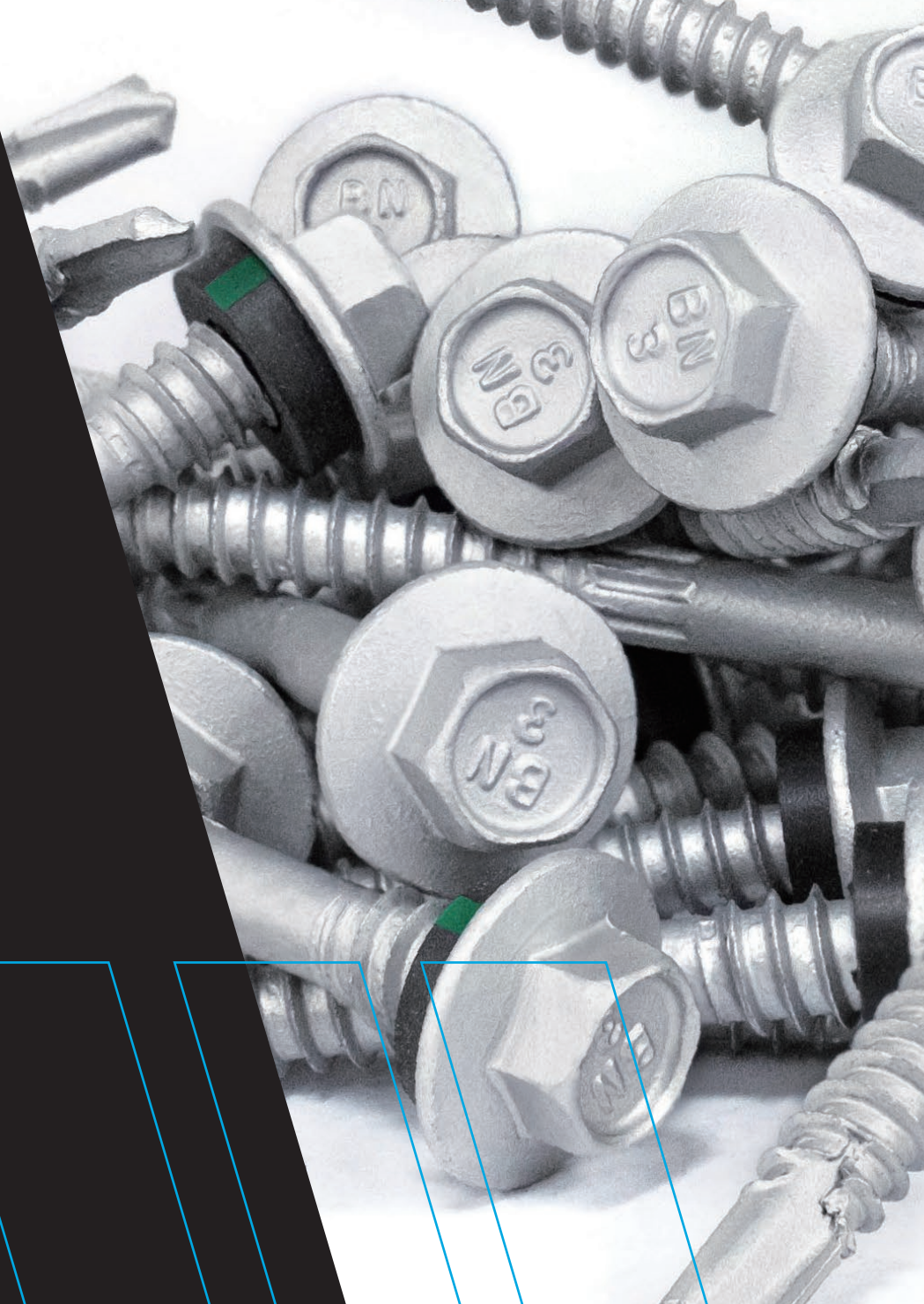


All **BDN Fasteners®** product labels must be placed at the designated area on the carton as stated below.

! DO NOT!



BDN Fasteners® product labels are always placed at the center of the box.



HEADQUARTER - TAIWAN

No. 47-37, Jiahua Rd., Gangshan, Kaohsiung 820, Taiwan (R.O.C.)

T +886 7-6282702 | F +886 7-6282601 | E info@bdfasteners.com

www.bdfasteners.com